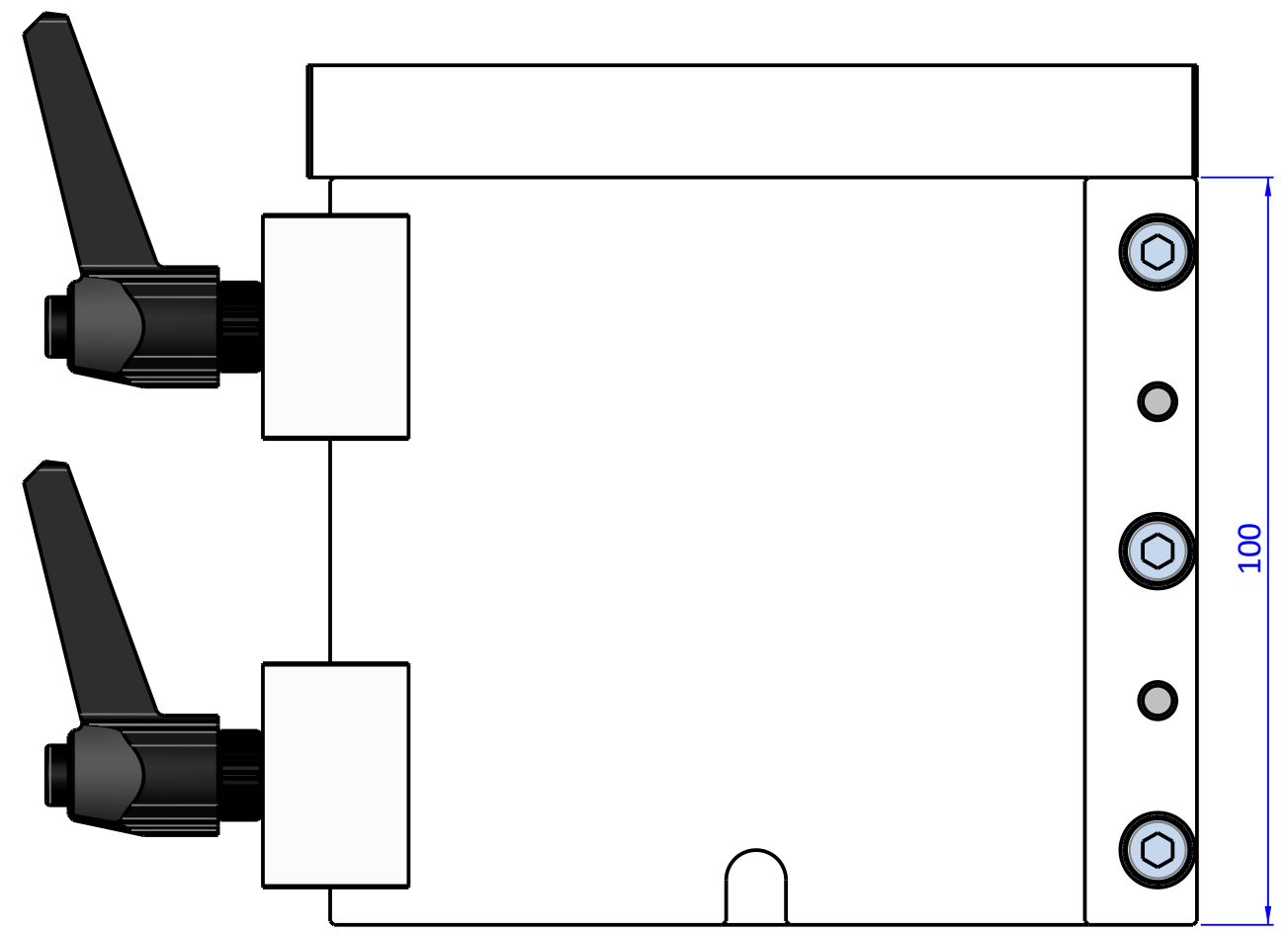
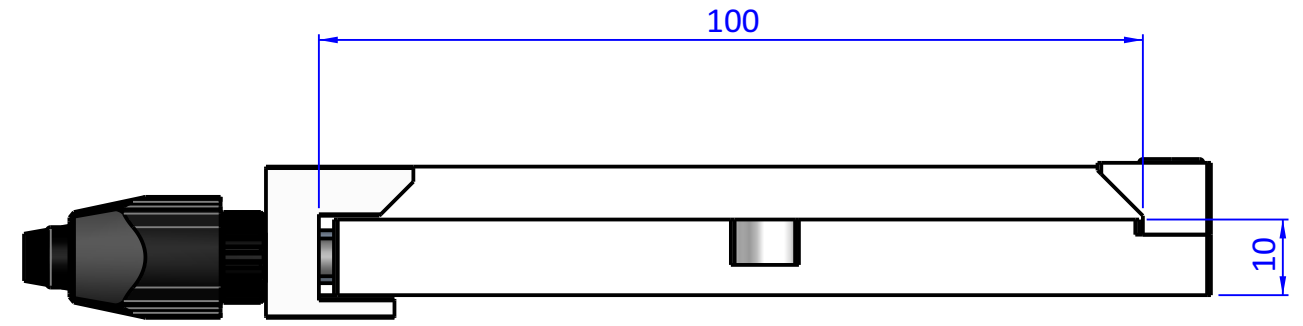
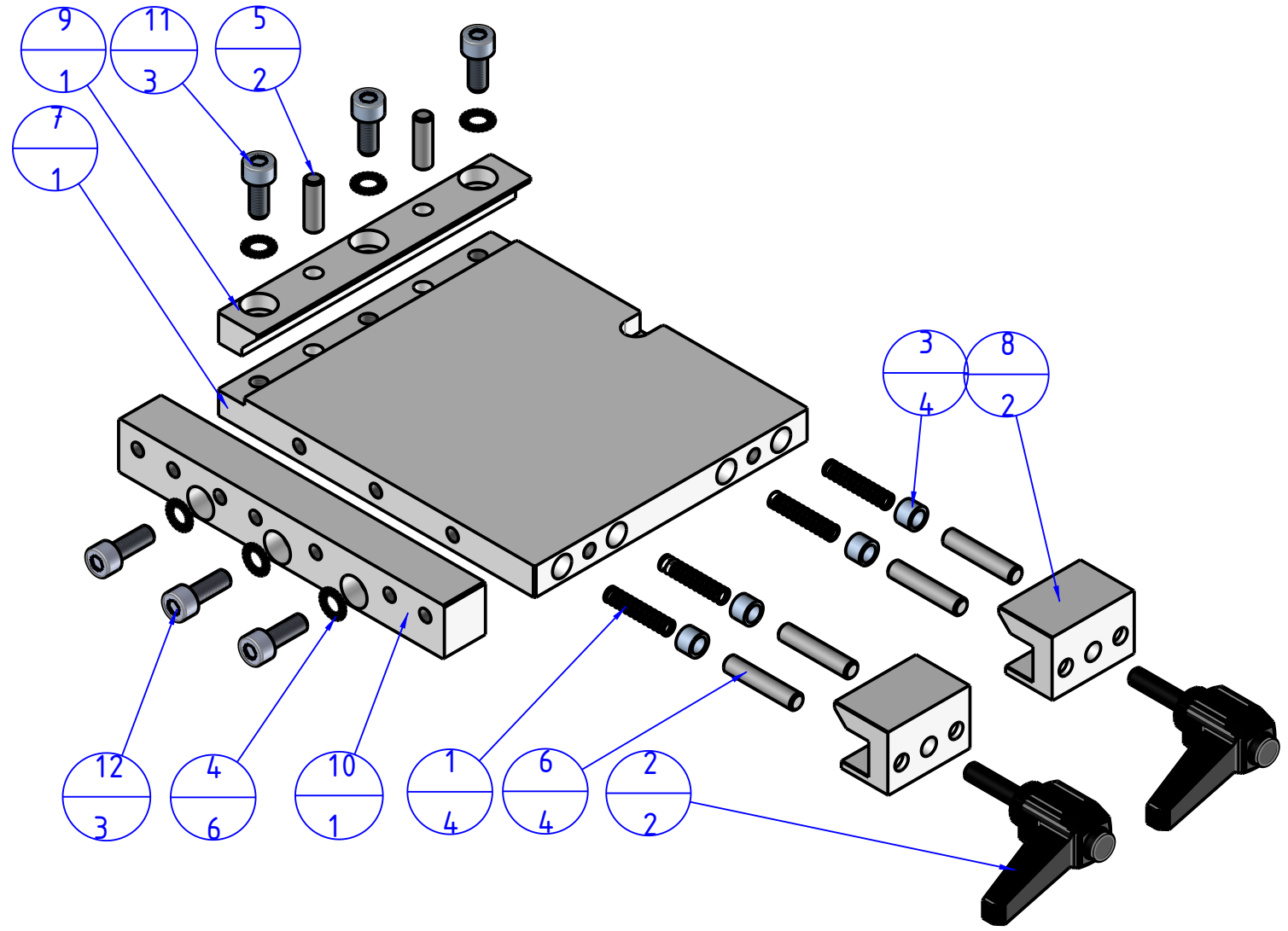



THE PROPERTY OF THE DRAWING IS ESTABLISHED BY LAW. IT IS FORBIDDEN TO PRODUCE OR SHOW IT TO THIRD PART - WITHOUT A WRITTEN AGREEMENT.

Item	Name	Qty.
1	M.DIM.11230	4
2	MAN.M5x20	2
3	PAP.050705	4
4	R.5.SCH	6
5	SP.5X16	2
6	SP.5X25	4
7	SWM1.0	1
8	SWM1.1	2
9	SWM1.2	1
10	SWM1.8	1
11	V.TCE5x12	3
12	V.TCE5x14	3



Format A3
UNI 936-76

 FPS FPSERVICES AUTOMATION		DESIGNED FROM FPS Automation		REVIEW A	
		DATE 08/04/2021	WEIGHT 0,495kg		
GENERAL TOLERANCE UNI - ISO 2768 CLASSE f	DESCRIPTION CA.SWM1		CODE CA.SWM1		